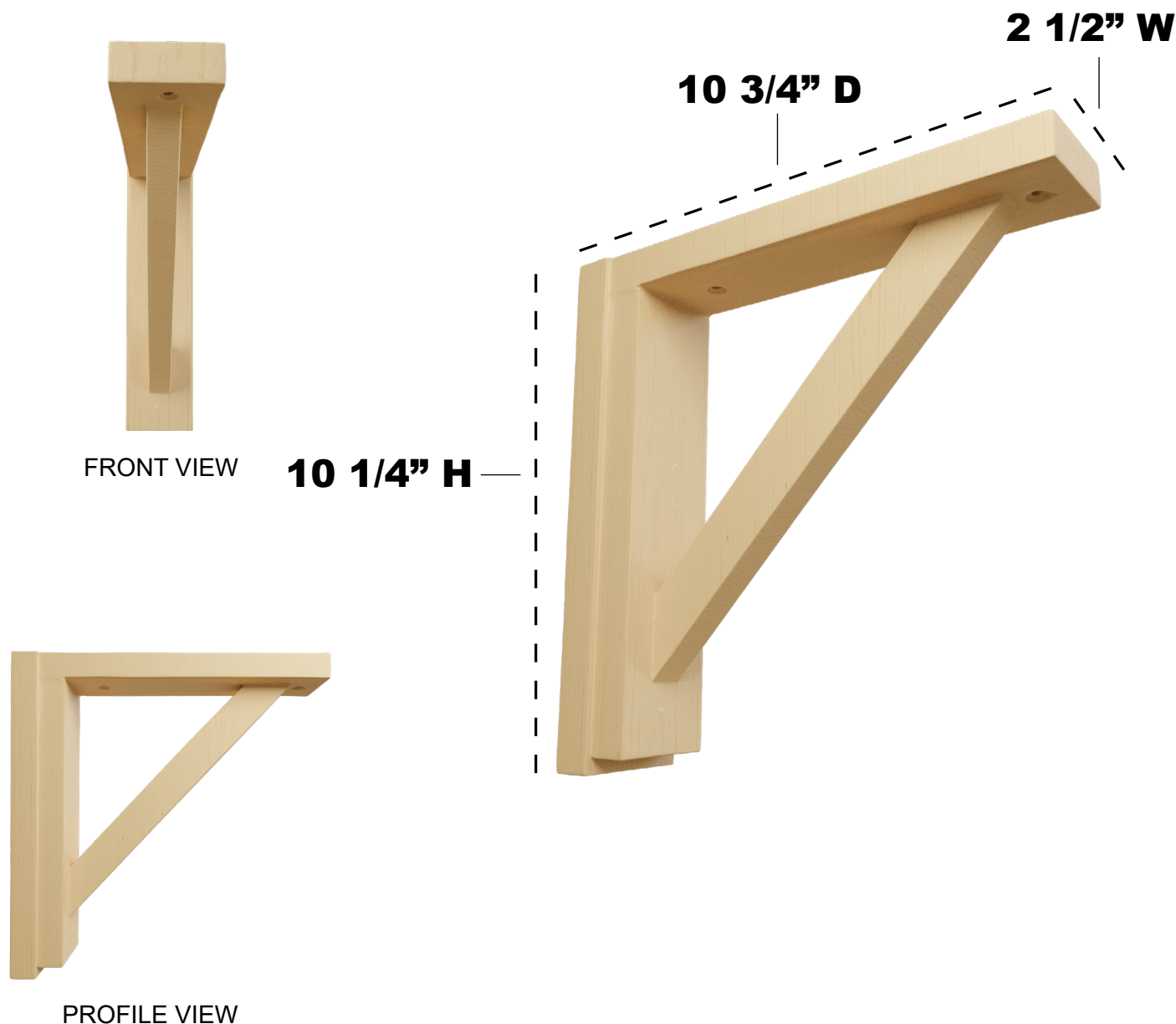


# 2 1/2" W X 10 3/4" D X 10 1/4" H TRADITIONAL BRACKET

ITEM NO.: BKT02X10X10TR



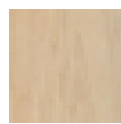
## AVAILABLE WOOD SPECIES:



ALDER



CHERRY



MAPLE



RED OAK



RUBBERWOOD



**EKENA**  
MILLWORK

P:866.607.0453 | F: 866.591.3143

2300 W. Main St. | Clarksville, TX 75426

sales@ekenamillwork.com | www.ekenamillwork.com